

SPECIFICATIONS

**P R E N T I C E
G R A P P L E S**

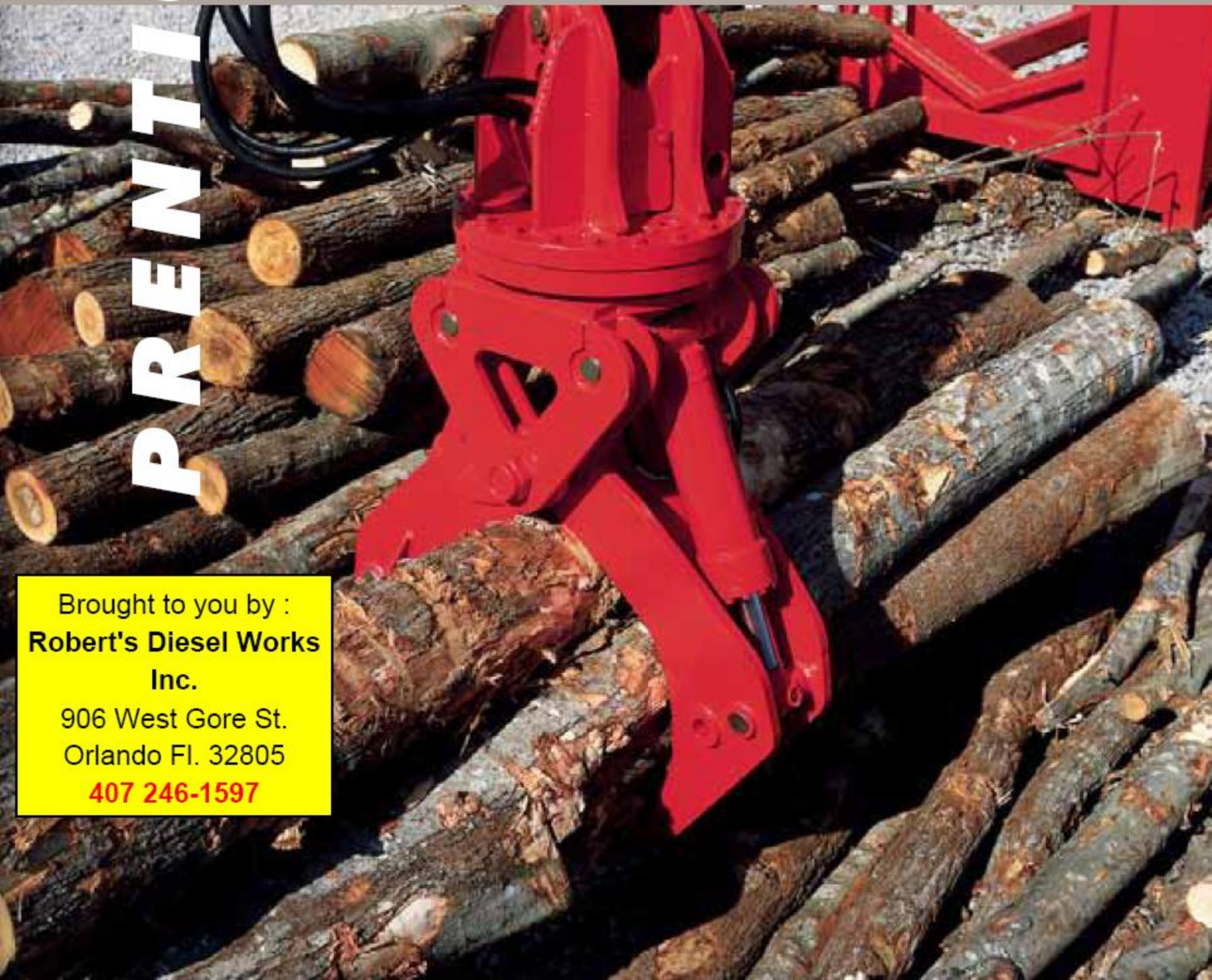
PRENTICE

BLOUNT



The Logger's Brand.

P R E N T I C E



Brought to you by :
**Robert's Diesel Works
Inc.**
906 West Gore St.
Orlando Fl. 32805
407 246-1597

PRENTICE GRAPPLES

SERIES E SPECIFICATIONS

"SN"--Straight narrow jaws "SW"--Straight wide jaws "TW"--Tapered wedge jaws
 "P"--Pulp grapple (Non-bypass) "SL"--Shovel Logger "GS"--Grapple

Rotator	Grapple	Capacity				Cylinder Inches				Weight	
		Cords		Cubic Meters		Bore		Stroke			
		4'	8'	1.22m	2.44m	inches	cm.	inches	cm.	Lbs.	Kg.
R18	4042SN	0.08	0.16	0.29	0.58	3.5	8.89	2.0	5.08	765	347.00
	5054SN	0.13	0.27	0.47	0.98	4.0	10.16	2.5	6.35	1140	517.10
	33P	0.17	0.33	0.62	1.19	3.5	8.89	2.0	5.08	764	346.54
	8060SW	0.17	0.33	0.62	1.19	3.5	8.89	2.0	5.08	775	351.53
R25	33P	0.17	0.33	0.62	1.19	3.5	8.89	2.0	5.08	940	426.38
	4042SN	0.08	0.16	0.29	0.58	3.5	8.89	2.0	5.08	930	421.84
	5054SN	0.13	0.27	0.47	0.98	4.0	10.16	2.5	6.35	1050	476.27
	5062SW	0.16	0.32	0.58	1.16	3.5	8.89	2.0	5.08	1200	544.31
	8060SW	0.17	0.33	0.62	1.19	3.5	8.89	2.0	5.08	950	430.91
	4548SN	0.09	0.19	0.33	0.69	4.0	10.16	2.5	6.35	1200	544.31
R50	4045TW	0.08	0.17	0.29	0.62	4.0	10.16	2.5	6.35	1250	566.99
	4548SN	0.09	0.19	0.33	0.69	4.0	10.16	2.5	6.35	1390	630.49
	GS4548SN	0.09	0.19	0.33	0.69	4.0	10.16	2.5	6.35	1600	725.75
	4554SN	0.13	0.27	0.47	0.98	4.5	11.43	3.0	7.62	1454	630.49
	4045TW	0.08	0.17	0.29	0.62	4.0	10.16	2.5	6.35	1465	664.51
	5055TW	0.12	0.25	0.43	0.91	4.5	11.43	3.0	7.62	1785	809.66
	4855SL	0.12	0.25	0.43	0.91	4.5	11.43	3.0	7.62	1870	848.22
GS4855SL	0.12	0.25	0.43	0.91	4.5	11.43	3.0	7.62	1934	848.22	

DIMENSIONS SPECIFICATIONS

Rotator	Grapple	A		B		C		D		E		F		G		H	
		inches	cm.	inches	cm.	inches	cm.	inches	cm.	inches	cm.	inches	cm.	inches	cm.	inches	cm.
R18	4042SN	4.0	10.2	42.5	108.0	52.0	132.1	53.3	135.3	61.0	154.9	16.5	41.9	58.5	148.6	-	-
	5054SN	5.0	12.7	54.0	137.2	64.8	164.5	60.0	152.4	70.0	177.8	16.5	41.9	66.0	167.6	-	-
	33P	31.0	78.7	75.0	190.5	76.0	193.0	39.8	101.1	61.5	156.2	19.8	50.2	-	-	33.8	85.9
	8060SW	8.0	20.3	60.0	152.4	76.0	193.0	49.5	125.7	61.5	156.2	22.0	55.9	57.8	146.8	-	-
R25	33P	31.0	78.7	75.0	190.5	76.0	193.0	41.0	104.1	63.0	160.0	19.8	50.2	-	-	33.8	85.9
	4042SN	4.0	10.2	42.5	108.0	52.0	132.1	54.5	138.4	62.5	158.8	16.5	41.9	60.0	152.4	-	-
	5054SN	4.0	10.2	54.0	137.2	64.8	164.5	61.5	156.2	71.5	181.6	16.5	41.9	67.3	170.8	-	-
	5062SW	5.0	12.7	62.0	157.5	70.0	177.8	54.0	137.2	70.0	177.8	23.0	58.4	64.0	162.6	-	-
	8060SW	8.0	20.3	60.0	152.4	76.0	193.0	51.0	129.5	63.0	160.0	22.0	55.9	59.3	150.6	-	-
	4548SN	4.5	11.4	48.0	121.9	55.0	139.7	56.3	142.9	65.8	167.0	18.8	47.6	63.0	160.0	-	-
R50	4045TW	4.0	10.2	45.0	114.3	53.0	134.6	56.0	142.2	65.0	165.1	21.0	53.3	63.0	160.0	-	-
	4548SN	4.5	11.4	48.0	121.9	55.5	141.0	58.5	148.6	68.0	172.7	20.8	52.7	65.0	165.1	-	-
	GS4548SN	4.5	11.4	48.0	121.9	55.5	141.0	58.5	148.6	68.0	172.7	20.8	52.7	65.0	165.1	-	-
	4554SN	4.5	11.4	54.0	137.2	65.0	165.1	63.8	161.9	73.7	187.3	20.8	52.7	69.5	176.5	-	-
	4045TW	4.0	10.2	45.0	114.3	53.0	134.6	59.0	149.9	67.5	171.5	21.0	53.3	65.5	166.4	-	-
	5055TW	5.0	12.7	55.0	139.7	63.0	160.0	64.5	163.8	74.5	189.2	21.0	53.3	71.0	180.3	-	-
	4855SL	4.8	12.2	55.0	139.7	63.0	160.0	64.5	163.8	74.5	189.2	21.5	54.6	70.8	179.7	-	-
GS4855SL	4.8	12.2	55.0	139.7	63.0	160.0	64.5	163.8	74.5	189.2	21.5	54.6	70.8	179.7	-	-	

APPLICATIONS SPECIFICATIONS

Rotator	Series E Grapple	Replaces Grapple Model	Loading	Slashing	Pine Delimiting	Hardwood Delimiting	Shovel Logging
R18	4042SN	CX442	90, 120, 180, 210	180, 210			
	5054SN	CX554	90, 120, 180, 210	180, 210			
	33P	33P	120, 180, 210				
	8060SW	33CB	120, 180	120, 180			
R25	33P	New	180, 210				
	4042SN	New	180, 210, 280	180, 210, 280	210, 280		
	5054SN	New	180, 210, 280	180, 210, 280	210, 280		
	5062SW	CX762S, CX656S	180, 210, 280	180, 210, 280			
	8060SW	New	210, 280	210, 280			
	4548SN	C742	210, 280, 310	210, 280, 310	210, 280		
R50	4045TW	C742W	210, 280, 310	210, 280, 310	210, 280		
	4548SN	New	280, 310, 410	280, 310, 410	280, 310, 410	280, 310, 410	
	4045TW	C742W	280, 310, 410	280, 310, 410	280, 310, 410	280, 310, 410	
	4554SN	New	310, 410, 425	310, 410	310, 410	310, 410	
	5055TW	C848W	410, 425, 610, 625	410, 425, 610, 625	410, 425, 610, 625	410, 425, 610, 625	CRX 410, CRX 625
	4855SL	New	410, 425, 610, 625	410, 425, 610, 625	410, 425, 610, 625	410, 425, 610, 625	CRX 410, CRX 625
	GS4548SN	New	280, 310, 410	280, 310, 410	280, 310, 410	280, 310, 410	CRX 410, CRX 625
GS4855SL	New	410, 425, 610, 625	410, 425, 610, 625	410, 425, 610, 625	410, 425, 610, 625	CRX 410, CRX 625	

PRENTICE GRAPPLES

ROTATORS



Model R18 is a high torque rotator with minimum weight designed for truck mounted self-loaders and small turntables in non-delimiting applications.



Model R25 is a high strength, high torque rotator with a compact design ideal for medium logging applications with limited pull through delimiting. A high-pressure swivel provides greater reliability.

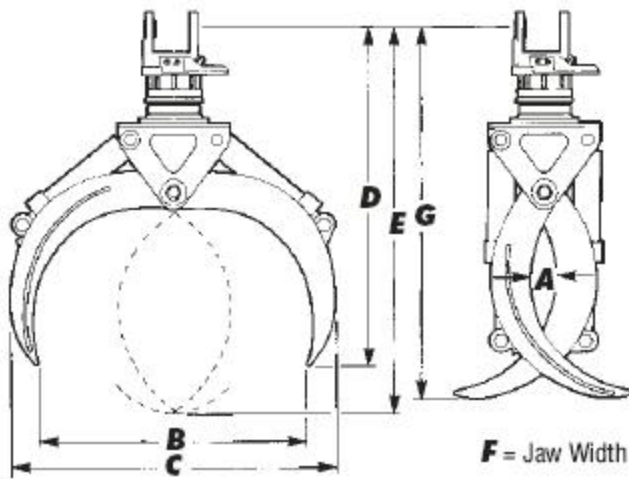


Model R50 is for heavy-duty loader applications including slashing, pull through delimiting and shovel logging. A high-pressure swivel provides greater reliability. This rotator is available on Series E and cast-head grapples.

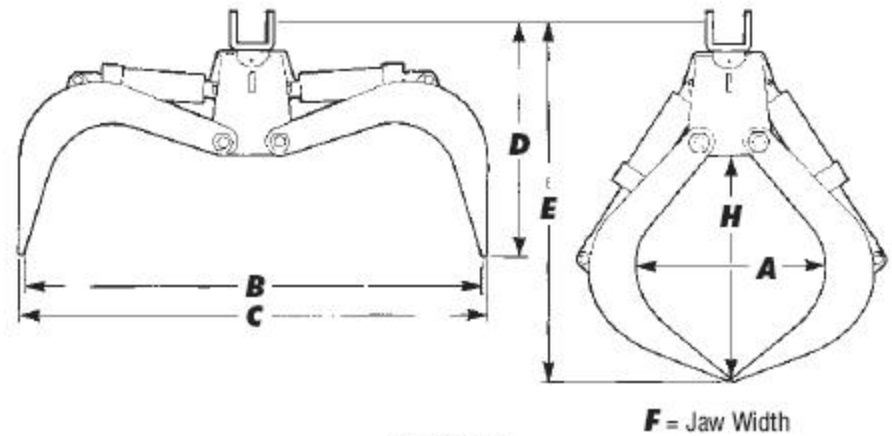


Non-continuous (NC) rotators are for use in light duty self-loader applications only.

DIMENSION DRAWINGS

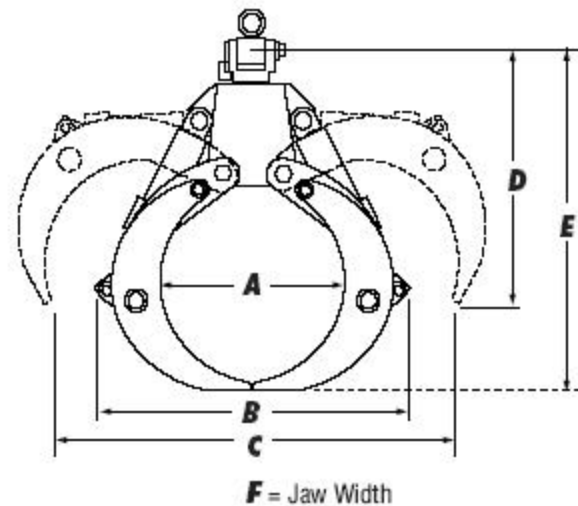


Log Grapple



Pulp Grapple

SOLID WASTE GRAPPLES



Solid Waste Grapple Dimensional Drawing

SPECIFICATIONS

Grapple Model	Prentice Loader Series	Cylinder				Dimensions												Weight	
		Bore		Rod		A		B		C		D		E		F		(Lbs.)	kg.
		Inches	cms.	Inches	cms.	Inches	cms.	Inches	cms.	Inches	cms.	Inches	cms.	Inches	cms.	Inches	cms.		
20 SW	90-120	3.5	8.9	1.75	4.4	26.5	67.3	41.5	105.4	57	144.8	42	106.7	52.5	133.4	20.5	52.1	628	284.x
42 SW	90-120	3.5	8.9	2	5.1	27.5	69.9	45	114.3	58.75	149.2	38	96.5	50	127.0	42	106.7	1020	462.x
60 SW	120	3.5	8.9	2	5.1	28	71.1	58.25	148.0	70	177.8	41.25	104.8	52.5	133.4	60	152.4	1348	611.x

Rotation: 270° limited rotation with external slopes

PRENTICE GRAPPLES

PULP, LOG AND COMBINATION SLASHER GRAPPLES

"C"—Continuous rotation "W"—Tapered wedge jaws "P"—pulp grapple-(Non-bypass)
 "CB"—Combination Bypass "S"—Slasher (Straight wide jaws) "NC"—Non-continuous

SPECIFICATIONS

	Rotator Class	Grapple	Rotation	Capacity				Cylinder				Weight	
				Cord		Cubic Meters		Bore		Rod		(Lbs.)	kg.
				4 ft.	8 ft.	1.22m	2.44m	inches	cm.	inches	cm.		
Pulp Grapples	NC	F25P	360	0.12	0.25	0.43	0.91	3.5	8.9	2.0	5.1	620	281.2
		25P	360	0.12	0.25	0.43	0.91	3.5	8.9	2.0	5.1	797	361.5
		33P	360	0.16	0.33	0.62	1.19	3.5	8.9	2.0	5.1	783	355.2
	R50	C50P	Cont.	0.25	0.50	0.91	1.81	4.0	10.2	2.5	6.4	1790	811.9
		C100P	Cont.	0.50	1.00	1.81	3.62	5.0	12.7	2.5	6.4	2895	1313.1
Log Grapples	R50	C742	Cont.	0.08	0.16	0.29	0.58	3.5	8.9	2.0	5.1	1465	664.5
		C742W	Cont.	0.08	0.16	0.29	0.58	3.5	8.9	2.0	5.1	1415	641.8
		C848	Cont.	0.12	0.25	0.43	0.91	4.0	10.2	2.5	6.4	1705	773.4
		C848W	Cont.	0.12	0.25	0.43	0.91	4.0	10.2	2.5	6.4	1641	744.3
		C955	Cont.	0.11	0.22	0.40	0.80	5.0	12.7	2.5	6.4	1775	805.1
		C1060	Cont.	0.11	0.22	0.40	0.80	5.0	12.7	2.5	6.4	1825	827.8
		C1066W	Cont.	0.20	0.40	0.72	1.45	5.0	12.7	2.5	6.4	2270	1029.7
Combination Slasher	NC	F25CB	360	0.11	0.22	0.40	0.80	3.5	8.9	2.0	5.1	728	330.2
		25CB	360	0.11	0.22	0.40	0.80	3.5	8.9	2.0	5.1	792	359.2
		33CB	360	0.16	0.33	0.62	1.19	3.5	8.9	2.0	5.1	790	358.3
	R50	C848S	Cont.	0.12	0.25	0.43	0.91	4.0	10.2	2.5	6.4	1565	709.9
		C1060S	Cont.	0.20	0.40	0.72	1.45	4.0	10.2	2.5	6.4	1945	882.2

DIMENSIONS

	Rotator Class	Grapple	A		B		C		D		E		F		G		H	
			inches	cm.	inches	cm.	inches	cm.	inches	cm.	inches	cm.	inches	cm.	inches	cm.	inches	cm.
Pulp Grapples	NC	F25P	26.5	67.3	65.0	165.1	66.0	167.6	34.0	86.4	50.5	128.3	20.0	50.8	-	-	30.8	78.1
		25P	26.5	67.3	66.0	167.6	66.0	167.6	34.9	88.6	51.0	129.5	20.0	50.8	-	-	30.8	78.1
		33P	31.5	80.0	73.0	185.4	73.0	185.4	35.6	90.4	54.5	138.4	20.0	50.8	-	-	34.5	87.6
	R50	C50P	38.0	96.5	66.0	167.6	76.5	194.3	75.0	190.5	87.5	222.3	28.5	72.4	-	-	47.0	119.4
		C100P	59.0	149.9	101.0	256.5	116.5	295.9	78.5	199.4	97.5	247.7	30.4	77.2	-	-	57.0	144.8
Log Grapples	R50	C742	7.0	17.8	42.0	106.7	50.5	128.3	64.3	163.2	71.3	181.0	23.8	60.3	69.8	177.2	-	-
		C742W	7.0	17.8	42.0	106.7	50.5	128.3	64.3	163.2	71.3	181.0	23.8	60.3	69.8	177.2	-	-
		C848	8.0	20.3	48.0	121.9	58.5	148.6	73.8	187.3	78.8	200.0	23.8	60.3	75.5	191.8	-	-
		C848W	8.0	20.3	48.0	121.9	58.5	148.6	73.8	187.3	78.8	200.0	23.8	60.3	75.5	191.8	-	-
		C955	9.0	22.9	55.0	139.7	66.0	167.6	65.3	165.7	77.3	196.2	23.5	59.7	76.8	194.9	-	-
		C1060W	10.0	25.4	60.0	152.4	65.0	165.1	57.0	144.8	79.3	201.3	23.5	59.7	78.8	200.0	-	-
		C1066W	10.0	25.4	66.0	167.6	83.0	210.8	80.0	203.2	92.3	234.3	23.5	59.7	89.5	227.3	-	-
Combination Slasher	NC	F25CB	9.0	22.9	56.0	142.2	64.0	162.6	40.5	102.9	50.5	128.3	25.0	63.5	46.0	116.8	-	-
		25CB	9.0	22.9	54.0	137.2	64.3	163.2	42.0	106.7	51.0	129.5	25.0	63.5	46.6	118.4	-	-
		33CB	12.0	30.5	60.5	153.7	70.5	179.1	43.5	110.5	54.5	138.4	25.0	63.5	49.5	125.7	-	-
	R50	C848S	8.0	20.3	48.0	121.9	60.0	152.4	71.0	180.3	78.3	198.8	26.5	67.3	76.0	193.0	-	-
		C1060S	10.0	25.4	60.5	153.7	77.0	195.6	69.0	175.3	79.3	201.3	26.5	67.3	70.0	177.8	-	-

APPLICATIONS

Rotator	Grapple	Loading	Slashing	Pine Delimiting	Hardwood Delimiting
NC	F25P, F25CB	F90			
	25P, 33P	120			
	25CB, 33CB	120			
R50	C50P	210, 280, 310			
	C75P	410, 425			
	C100P	610, 625			
	C742, C742W	210, 280, 310, 410	210, 280, 310, 410	280, 310, 410	280, 310, 410
	C848, C848W	280, 310, 410	280, 310, 410	310, 410	310, 410
	C955W	410, 610, 625		610, 625	610, 625
	C1060	410, 610, 625			
	C1066W	410, 610, 625			
	C848S	280, 310, 410	280, 310, 410		
C1060S	410, 610, 625	410, 610, 625			

PRENTICE GRAPPLES

SERIES E FEATURES

The new Prentice Series E grapples replace the "CX" series of grapples, and add new models not available before in the Prentice line-up. We also have developed new models to match up to the ever popular Prentice C742W and C848W cast head grapples. Three rotator models are available in this series to meet the job requirements of every logger.



All grapples in this series are continuous rotation. Each head assembly is constructed of high-tensile steel with heavy-duty bearings and hardened gears.



Cylinder size and jaw configuration provide holding forces for large loads as well as the ability to handle single logs.



Jaws are constructed of special high-tensile wear resistant steel. Critical areas of the jaws are reinforced and designed to protect the cylinder rods and hoses.



A unique "spider web" weldment strengthens the split jaw.



To add to the versatility of this design, the R25 and R50 head assemblies have interchangeable inserts to allow for easy hookup to different loader pin sizes.



Jaw tips are rounded to prevent damage to individual logs.



Three jaw designs are available in the new Prentice grapple offering. The "TW" design is the same tapered wedge jaw design made popular by the Prentice C742W and C848W cast head grapples. The "SN" design is the straight, narrow jaw design found on the "CX" series of grapples. The "SW" is the straight, wide jaw design for multi-stem applications.

PRENTICE GRAPPLE SAWS

FEATURES & BENEFITS

Grapple

- Continuous rotation
- Clean, protected hose routing reduces potential for hose damage
- Heavy-duty R50 rotator with high-pressure swivel for demanding applications
- Rounded jaw tips minimize damage to individual logs
- Large, high-pressure cylinders provide holding force for heavy loads
- Rotator has interchangeable inserts for easy hookup to various loader pin sizes



Saw System

- Automatic chain tensioning system
- Built-in proportional chain lubrication system
- Built-in protected feed cylinder
- Automatic saw bar return
- Designed for fast, simple chain and bar replacement

Grapple Specifications

Head assemblies are constructed of high tensile steel with heavy-duty bearings and hardened gears. Jaws are constructed of special high-tensile wear-resistant steel. Critical areas are reinforced and designed to protect cylinder rods and hoses. A unique "spider web" weldment strengthens the split jaw.

Grapple	Capacity				Cylinder Inches				Weight	
	Cords		Cubic Meters		Bore		Rod			
	4'	8'	1.22m	2.44m	inches	cm.	inches	cm.	Lbs.	Kg.
GS4548SN-R50	0.09	0.19	0.33	0.69	4.0	10.16	2.5	6.35	1454	630.49
GS4855SL-R50	0.12	0.25	0.43	0.91	4.5	11.43	3.0	7.62	1934	848.22

SN jaw design is straight and narrow for keeping wood tighter in grapple allowing cleaner cuts. This grapple design can be used for both short wood and tree length. SL jaw design is for shovel logging and heavy-duty logging applications. This grapple design also comes with cylinder guards for extra protection.

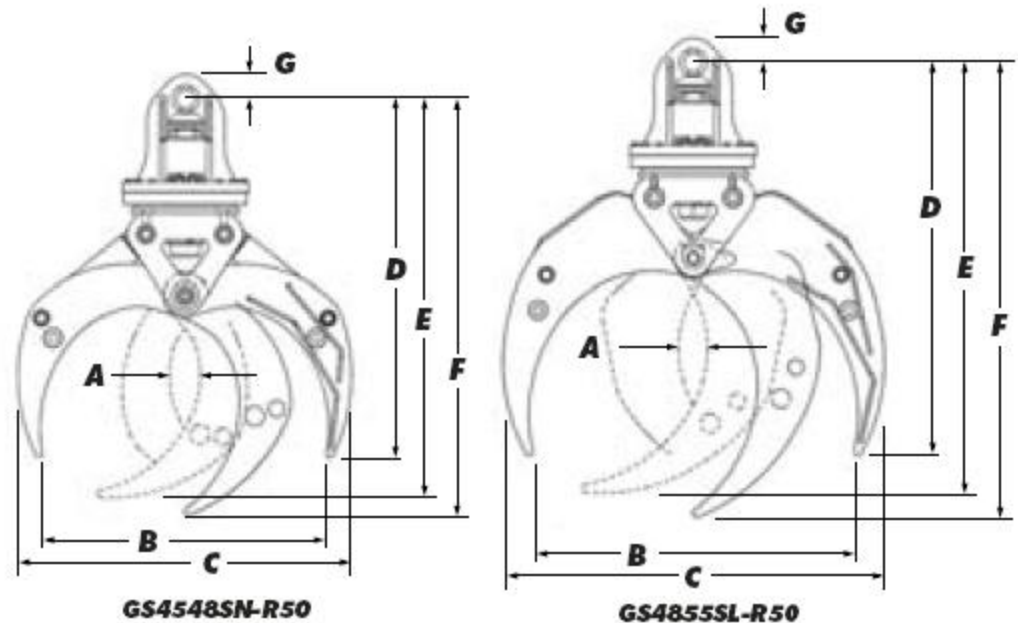
Grapple Dimensions

Grapple	A		B		C		D		E		F		G	
	inches	cm.	inches	cm.	inches	cm.	inches	cm.	inches	cm.	inches	cm.	inches	cm.
GS4548SN-R50	4.5	11.4	48.0	121.9	55.5	141.0	58.5	148.6	65.0	165.1	68.0	172.7	4.0	10.1
GS4855SL-R50	4.8	12.2	55.0	139.7	63.0	160.0	64.5	163.8	70.8	179.7	74.5	189.2	4.0	10.1

Saw System

- Automatic chain tensioning
- Proportional chain lubrication

Saw System Specifications	Standard	Metric
Saw Motor Displacement	1.16 in.	19 cm
Hydraulic Pressure (minimum)	2300 psi	16 Mpa
Hydraulic Pressure (maximum)	4500 psi	31 Mpa
Recommended Pressure	3600 psi	25 Mpa
Hydraulic Flow (minimum)	35 GPM	135 l/min
Hydraulic Flow (maximum)	58 GPM	135 l/min
Recommended Flow	48 GPM	180 l/min
Saw bar and chain	0.404	



SOLD AND SERVICED BY:



Brought to you by :
Robert's Diesel Works Inc.
 906 West Gore St.
 Orlando Fl. 32805
407 246-1597

Robert's Diesel Works Inc.
 906 West Gore St.
 Orlando Fl. 32805
407 246-1597

We reserve the right to change specifications and to improve our products without notice or obligation.

Form No. 603-0104 TDS 142-4 Printed in U.S.A.